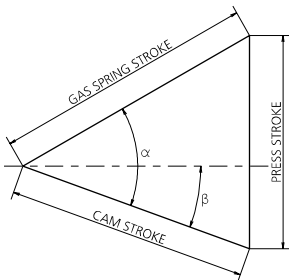
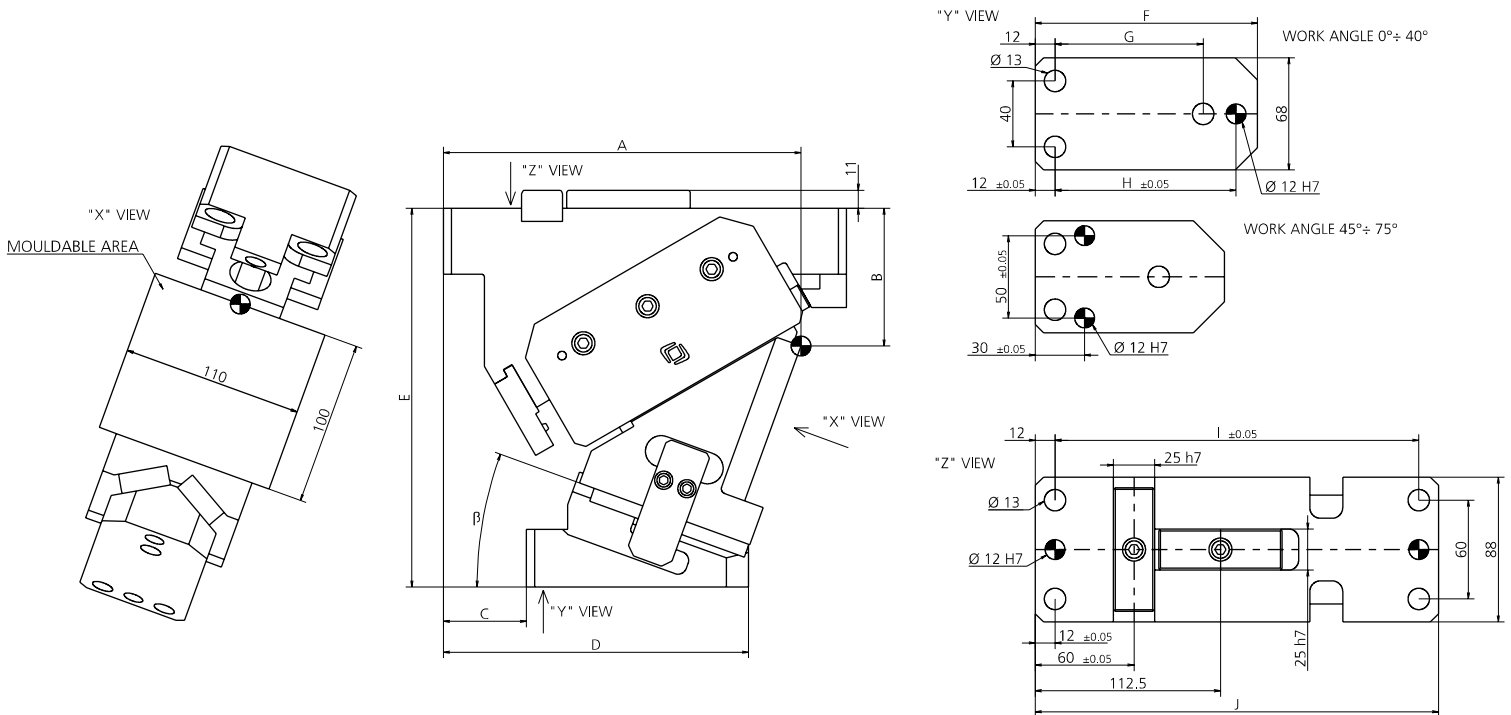


POS.	DESCRIPTION	Q.TY
001	CUNEO / WEDGE / DRUCKKEIL	1
002	SLITTA / SLIDER / LAGERKEIL	1
003	CORPO CAMMA / CAM BODY / GRUNDGEHÄUSE	1
004	STAFFA DI AGGANCO / BRACKET ATTACHMENTS / BRACKETBEFESTIGUNG	2
005	PIASTRINA / PLATE / PLATTE	1
006	DISTANZIALE / SPACER / ABSTANDSHALTER	1
007	DISTANZIALE / SPACER / ABSTANDSHALTER	1
008	STAFFA / BRACKET / BRACKET	2

POS.	DESCRIPTION	Q.TY
009	CHIAVETTA / KEY / SCHLÜSSEL	2
012	CILINDRO AD AZOTO / NITROGEN CYLINDER / STICKSTOFFZYLINDER	1
013	PUNTALINO / BUMP STOP / STOSSDÄMPFERSPITZE	2
014	SENSORE DI SICUREZZA / SECURITY SENSOR / SENSOR FÜR SICHERHEIT	1*OPTION
015	PIASTRINA / PLATE / PLATTE	1
017	FINECORSA / LIMIT SWITCHES / ENDSCHALTER	1
018	PIASTRA DI SCORRIMENTO / WEAR PLATE / DRUCKPLATTE	2
019	PIASTRA DI SCORRIMENTO / WEAR PLATE / DRUCKPLATTE	2



$\beta$	$\alpha$	PRESS STROKE	GAS SPRING STROKE	CAM STROKE	EXTRACTION FORCE (daN)	CUTTING FORCE (daN)
0°	50°	33.33	43.5	28.0	1100	25000
5°	50°	33.45	43.5	30.8	1100	25500
10°	50°	33.84	43.5	33.84	1150	26000
15°	50°	34.5	43.5	36.89	1150	26000
20°	50°	35.46	43.5	40.0	1150	26500
25°	50°	36.77	43.5	43.5	1200	27000
30°	50°	38.48	43.5	47.2	1200	27500
35°	50°	40.68	43.5	51.29	1240	28000
40°	50°	43.5	43.5	55.92	1240	28000
45°	50°	47.13	43.5	61.28	1260	28500
50°	50°	51.25	43	66.9	1260	29000
55°	55°	47.13	33	57.53	1280	30000
60°	60°	57.16	33	66.0	1280	30500
65°	65°	70.77	33	78.08	1300	31000
70°	70°	63.19	23	67.25	1300	31800
75°	75°	59.71	16	61.82	1320	32000



CODE	$\beta$	A	B	C	D	E	F	G	H	I	J
<b>0153.0110-00</b>	0°	196.69	70.15	72	208	230	136	105	80	191	215
<b>0153.0110-05</b>	5°	206.69	74.45	70	260	235	135	90	110	201	225
<b>0153.0110-10</b>	10°	215.17	79.64	65	205	240	140	95	115	211	235
<b>0153.0110-15</b>	15°	216.42	86.42	55	195	240	140	95	115	216	240
<b>0153.0110-20</b>	20°	217.31	83.67	50.5	185.5	230	135	90	110	221	245
<b>0153.0110-25</b>	25°	220.17	86.39	45	180	230	135	90	110	221	245
<b>0153.0110-30</b>	30°	223.69	91.43	30	165	225	135	90	110	226	250
<b>0153.0110-35</b>	35°	222.78	94.02	20	155	220	135	90	110	226	250
<b>0153.0110-40</b>	40°	217.88	96.41	15	150	220	135	90	110	226	250
<b>0153.0110-45</b>	45°	218.48	94.32	5	140	205	135	90	110	226	250
<b>0153.0110-50</b>	50°	205.11	106.51	0	115	205	115	63	50	216	240
<b>0153.0110-55</b>	55°	203.78	107.91	0	105	210	105	60	50	216	240
<b>0153.0110-60</b>	60°	216.26	112.73	-5	100	210	105	60	50	216	240
<b>0153.0110-65</b>	65°	217.57	136.11	-10	95	220	105	50	50	216	240
<b>0153.0110-70</b>	70°	207.35	139.74	-20	83	215	102	40	50	216	240
<b>0153.0110-75</b>	75°	206.25	154.43	-15	80	210	95	40	50	216	240

**14 PATENT PENDING**

14 (9003) SENSORE / SENSOR / SENSOR



MODELLO D'ORDINE / ORDER EXAMPLE / BESTELLBEISPIEL / MODÈLE DE COMMANDE

MODEL **0153.0110** INCLINATION **-10°** OPTION CODE **9003.0002**